



PROJECT		REF		REV	ITEM CODE	
LOCATION		DATE			PAGE	

## SANITARY WARE SPECIFICATION SHEET

Item Descriptions	GROHE (Germany) "Eurosmart Cosmopolitan" Single-lever bath & shower mixer with 2-way diverter	Illustration/ Drawing
Dimensions	L158 x W152 x H200 mm	
Model	24045000 (Mixer) 35600000 (Mounting box)	
Finish / Material	Chrome Plated	
Country of origin	Germany	
Manufacturer	GROHE Limited	
Supplier	Acme Sanitary Ware Co. Ltd Mr. Eric Wong/ Mr. Don Yuen	
Contact Tel/Fax	(852) 2388-7171 / (852) 2710-8012	
E-mail	acme@acmesanitary.com.hk	
Website	www.acmesanitary.com.hk	
<p><b>"Eurosmart Cosmopolitan " Single-lever mixer with 2-way diverter</b></p> <ul style="list-style-type: none"> <li>· set for final installation for</li> <li>· GROHE Rapido SmartBox 35 600</li> <li>· <b>GROHE SilkMove</b> 46 mm ceramic cartridge</li> <li>· <b>GROHE StarLight</b> chrome finish</li> <li>· wall escutcheon with <b>GROHE QuickFix</b> (covered escutcheon- and shaft sealing, covered fixing)</li> <li>· metal escutcheon, retroactively 6° adjustable</li> <li>· metal lever automatic 2-way</li> <li>· diverter flow performance: outlet B = 27 l/min, outlet C = 27 l/min</li> <li>· <b>without roughing-in-set</b></li> </ul>		

Note: [YouTube \(Rapido SmartBox | Installation Video\) https://www.youtube.com/watch?v=KsWdVrq9fVI](https://www.youtube.com/watch?v=KsWdVrq9fVI)

\* All information of the above is for the reference only. No prior notice is made if any changes.



# Acme Sanitary Ware Co Ltd

Acme Building, 22-28 Nanking Street, Kowloon, Hong Kong  
Tel: 2388 7171 Fax: 2710 8012  
E-mail: acme@acmesanitary.com.hk  
Website: www.acmesanitaryware.com.hk



Pure Freude  
an Wasser

PROJECT		REF		REV	ITEM CODE	
LOCATION		DATE			PAGE	

## SANITARY WARE SPECIFICATION SHEET

### GROHE EUROSMART COSMOPOLITAN

MORE THAN 200 POSSIBLE COMBINATIONS WITH GROHE RAPIDO SMARTBOX

As concealed mixing valves for showers and bathtubs are becoming increasingly successful, concealed units are in great demand. With its minimum installation depth of only 75mm, GROHE's Rapido Smartbox can be easily installed for all showers/bathtubs. The Rapido Smartbox concealed body allows you to control up to three water outlets and is compatible with all GROHE concealed models.

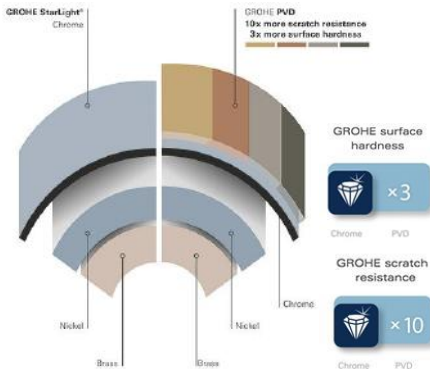
#### MORE THAN MERE MINIMALISM

Focus on the essential. Eurosmart Cosmopolitan deliberately avoids anything superfluous. The design story of this line of fittings speaks to fans of contemporary architecture, combining modern aesthetics with excellent ergonomics and the highest functionality. The extensive Eurosmart Cosmopolitan line boasts six different faucet models for the washbasin, each brilliantly complementing GROHE ceramics. Whether a fixed, swivel-mounted or electronic cast spout, each model guarantees the highest GROHE quality and optimum ease of use. Our proven technologies, including GROHE SilkMove, GROHE SilkMove ES and GROHE StarLight, are committed to fulfilling our quality promise.



#### THE NEW GROHE RAPIDO SMARTBOX

A UNIVERSAL SYSTEM FOR INFINITE POSSIBILITIES



#### GROHE SilkMove cartridge technology for smooth handling

This premium tap comes with a continuously variable water temperature and volume adjustment technology, ensuring effortless lever operation even after years of use.



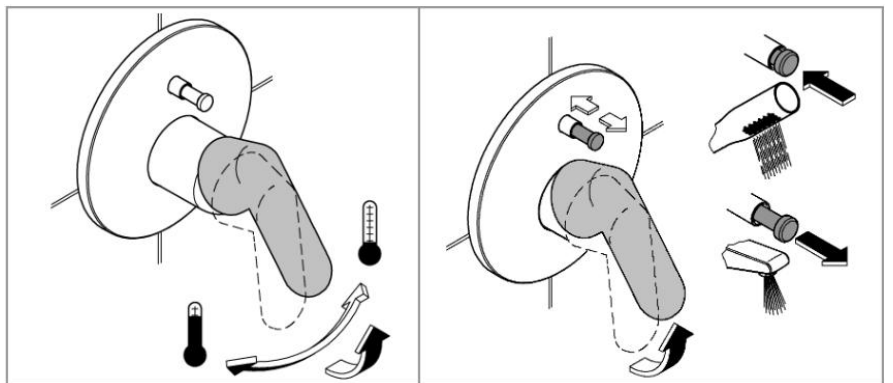
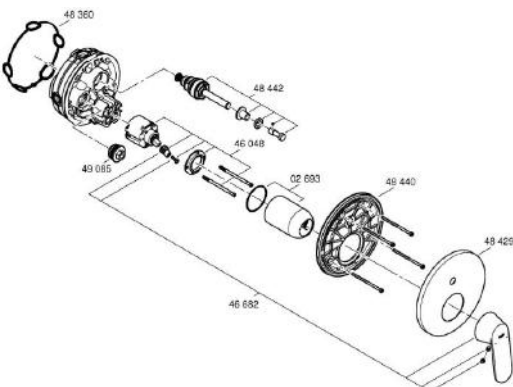
#### Easy to clean thanks to the GROHE StarLight chrome coating

Just wipe the tap down with a dry cloth – the ultra smooth surface finish is scratch resistant and ensures a lasting luminous sheen. You'll save plenty of time cleaning while your tap always looks shiny and new.



#### GROHE QuickFix Plus quick and easy installation in a few simple steps

Save time on the installation of your tap with GROHE QuickFix Plus. Consisting of fewer parts, our new system makes the installation process quicker and easier than ever.



Note:

\* All information of the above is for the reference only. No prior notice is made if any changes.



Waterworks Department

7 Gloucester Road, Immigration Tower, 7 Gloucester Road, Wan Chai, Hong Kong

本署檔號 : (4) in WSD 3321/2020 T/J(434/2020)  
Our ref.  
來函檔號 :  
Your ref.


電話 :  
Tel.  
傳真 : 2824 0578  
Fax.

14 September 2020

### Approval of "GROHE" Bath/Shower Mixer (General Acceptance No. C20200791)

Your letters ref. WRC/2201 and C-WSD/0631 dated 24 April 2020 and 27 August 2020 respectively refer.

Having considered the test report ref. J23909r1 issued on 15 July 2020 by Nutek Systems (HK) Ltd., this Authority accepts that the fitting described below complies with, and its use when correctly installed does not contravene, the Waterworks Ordinance and Regulations.

**Name of Manufacturer:** Grohe AG  
**Country of Origin:** Germany  
**Brand:** Grohe  
**Details of Fitting:** 1/2" Single lever bath/shower mixer with concealed body  
**Model:** 35600000 + 24045XXX  
(where the digits "XXX" denote the code of colour)  
**Body Markings:**   
**Expiry Date:** 31 January 2024



This Authority hereby permits the use of the above fitting in fresh water plumbing systems subject to full adherence to Waterworks installation requirements. In particular, you are required to draw your customers' attention to the following requirement-

"The cold water supply to the fitting shall be drawn from the same source that supplies the hot water apparatus so as to provide a balanced pressure and to obviate the risk of scalding in the event of a restriction or failure in the water supply." AND

"The shower head or handspray should not be placed in submerged conditions and should be securely fixed to the original position after use."

A condition of this acceptance is that the fitting to be installed shall be replicas of the sample as certified by the testing agent mentioned above and without modifications. This acceptance may be withdrawn at any time if the standard of the fitting installed fail to meet that of the approved sample or if the fitting is found to be unsuitable for use in fresh water plumbing systems.

This acceptance is only applicable to the main body of the fitting, unless otherwise specified.

For the use of the fitting in any project, the General Acceptance Number of this letter must be quoted as a means of identification of acceptance of the fitting by this Authority.

Should you have any enquiries, please contact our Engineer Mr. Terry KUNG at tel. no. 3583 4086.

Yours faithfully,



(CHAN Chung-kun)

for Director of Water Supplies

Encl.

c.c. WSD 3321/1/82 ] - without catalogue  
ME/MC ] - with soft copy only